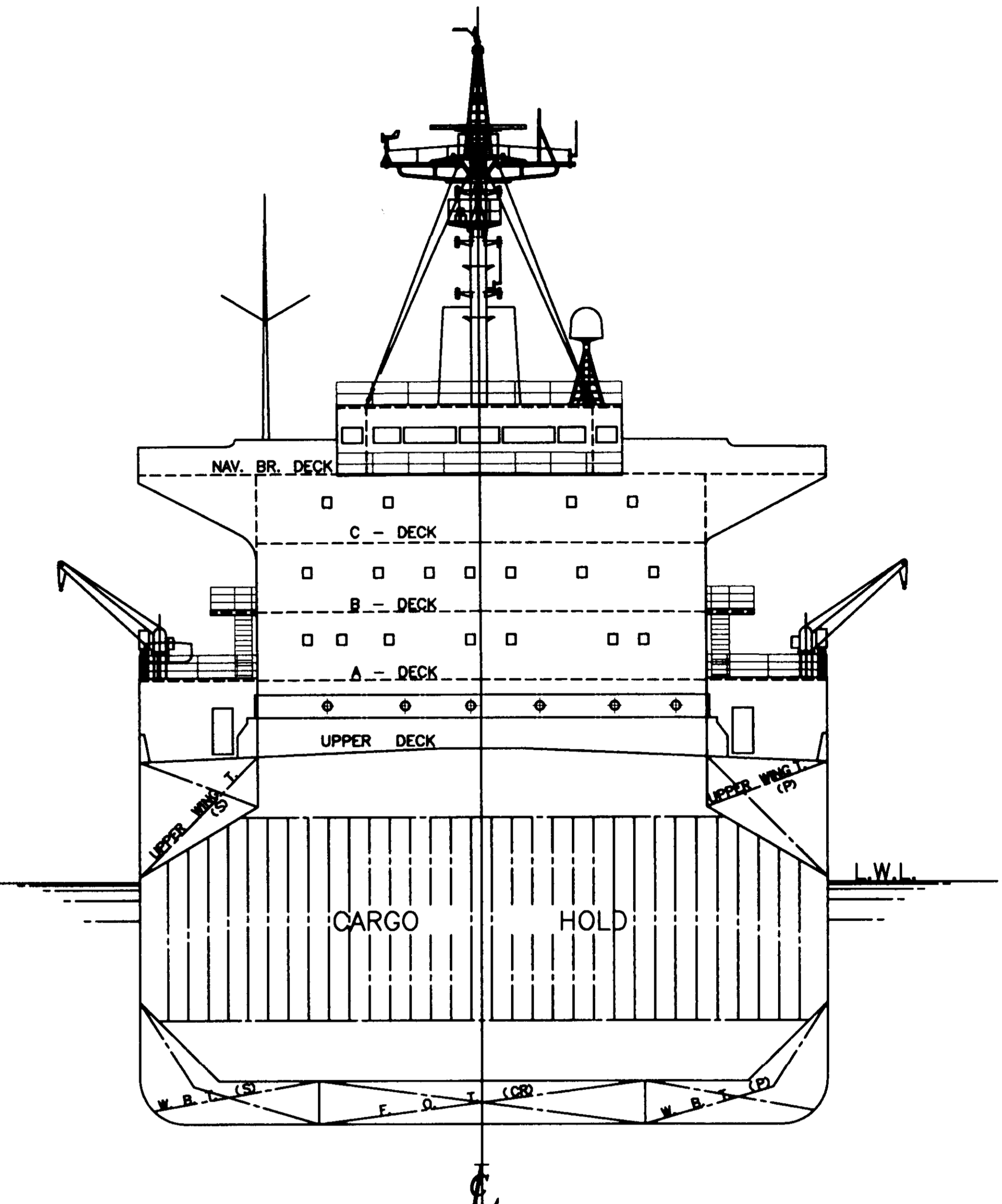
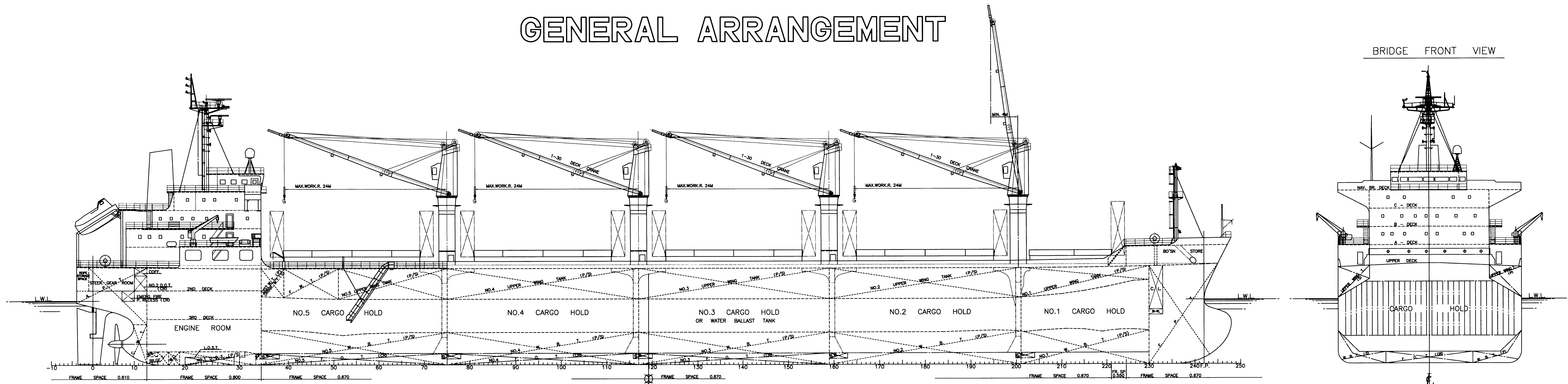


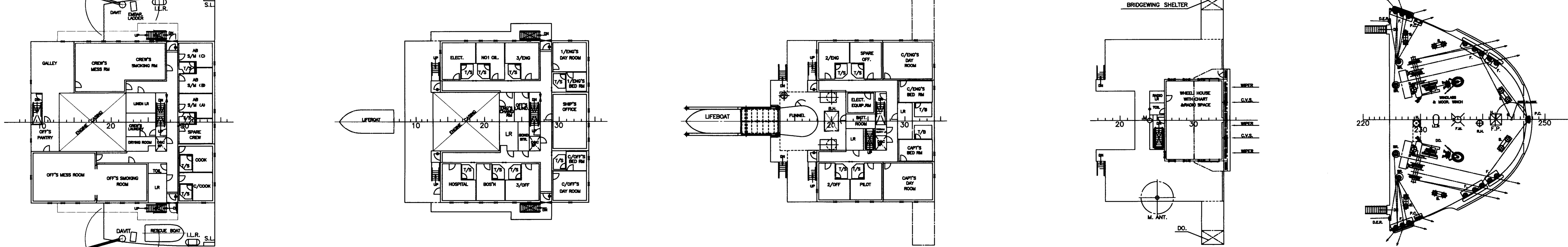
DRAWING RECORD		
DATE	REV. NO.	DESCRIPTION
DEC. 08, 2007		DRAWN BY M.T.C.
MAR. 28, 2008		FINISHED PLAN

M.V. WESTERN WAVE GENERAL ARRANGEMENT

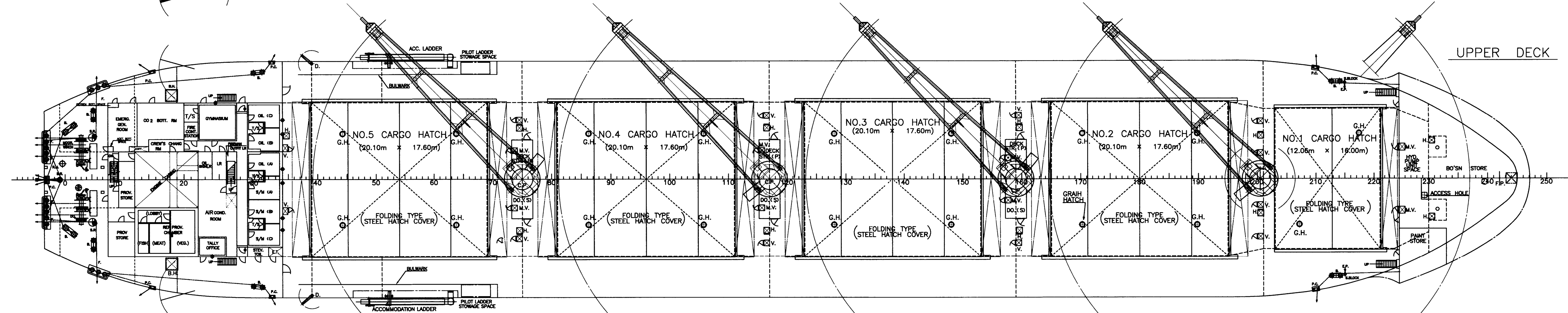
BRIDGE FRONT VIEW



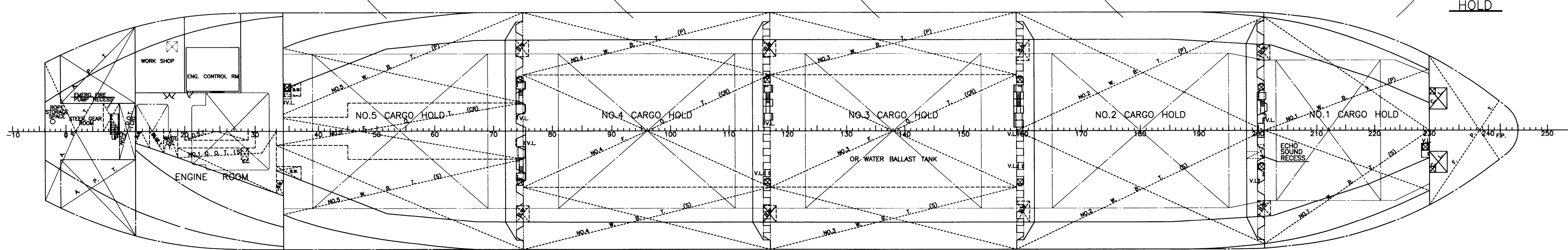
A - DECK B - DECK C - DECK NAV. BR. DECK F'CLE DECK



COMPLEMENT				
DECK	ENGINE	BUSINESS		
CAPT.	1 C/ENG.	1		2
C/OFF.	1 1/ENG.	1		2
2/OFF.	1 2/ENG.	1		
3/OFF.	1 3/ENG.	1		
	ELECT.	1		5
				9
BO'SN	1 No.1 OIL.	1 C/COOK	1	3
AB.S/M	3 OILER	3 COOK	1	
SEAMAN				10
				13
SPARE (JUNIOR OFF.) 1				
PILOT (JUNIOR OFF.) 1				
SPARE (CREW) 1				
GRAND TOTAL 25 P				



UPPER DECK



HOLD

PRINCIPAL PARTICULARS	
LENGTH OVERALL	169.99 m
LENGTH B.P.	163.60 m
BREADTH MLD.	27.00 m
DEPTH MLD.	14.20 m
DRAFT LOADED, MLD. (DESIGN/SCHLUNG)	9.50/10.04 m
DEADWEIGHT (DESIGN/SCHLUNG)	27,043/29,231 M.T.
GROSS TONNAGE	18,493 T.
SEA SPEED (DESIGN)	14.2 KTS
MAIN ENGINE	MAN B&W 5SSOMC (Mark6) x 1 SET
D.M.C.O.	5,730 ^{HP} x 104 ^{RPM}
CLASS.	NK

NANTONG NIKKA S.NO. NK-001	DW. 29,200 SINGLE SCREW BULK CARRIER
GENERAL ARRANGEMENT	DWG. NO. G-05

3890