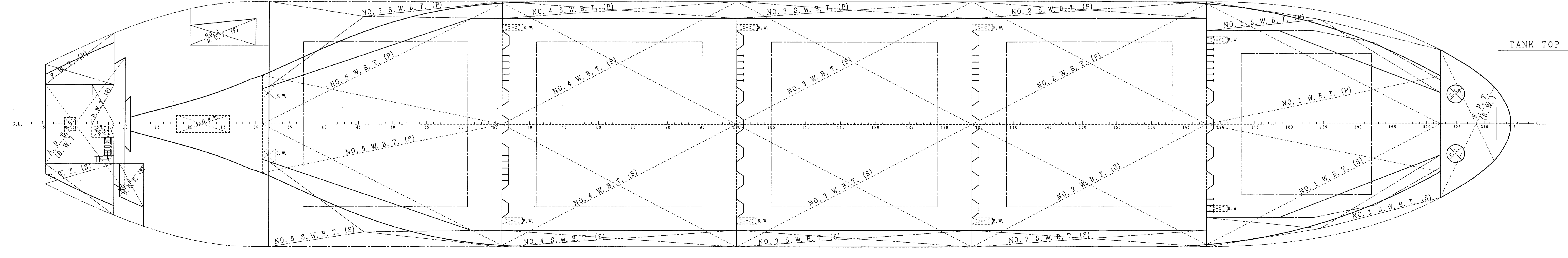
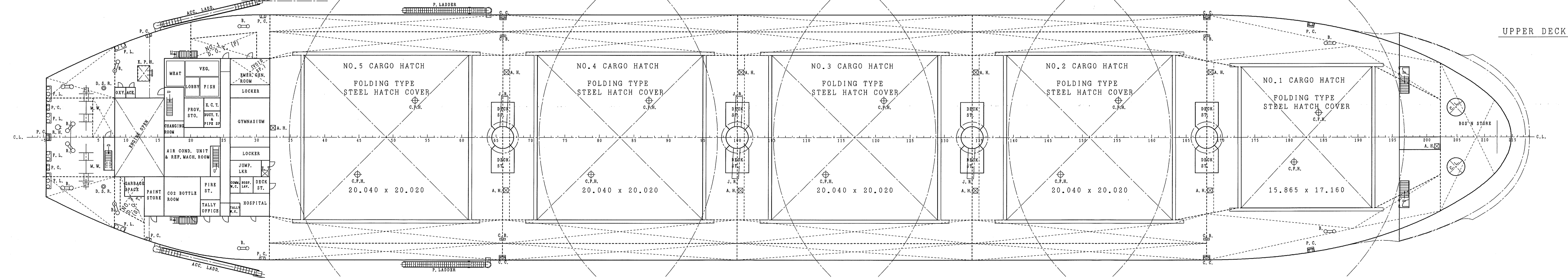
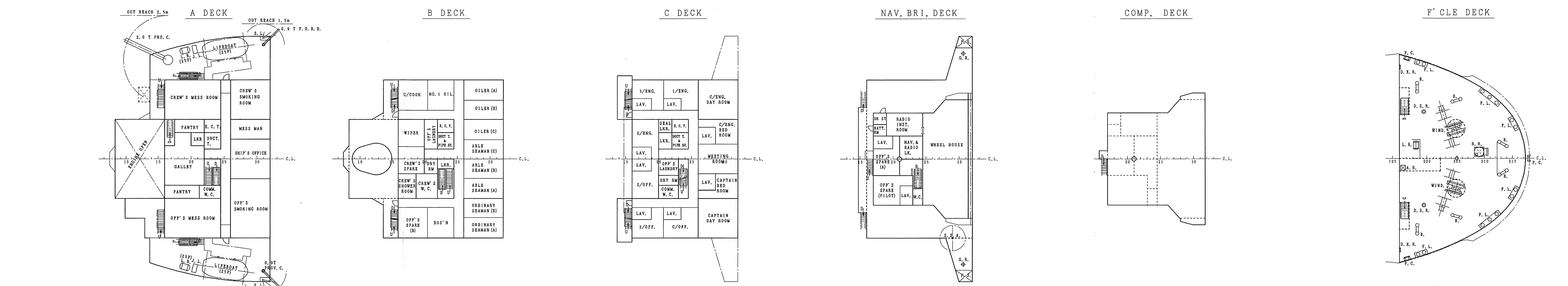
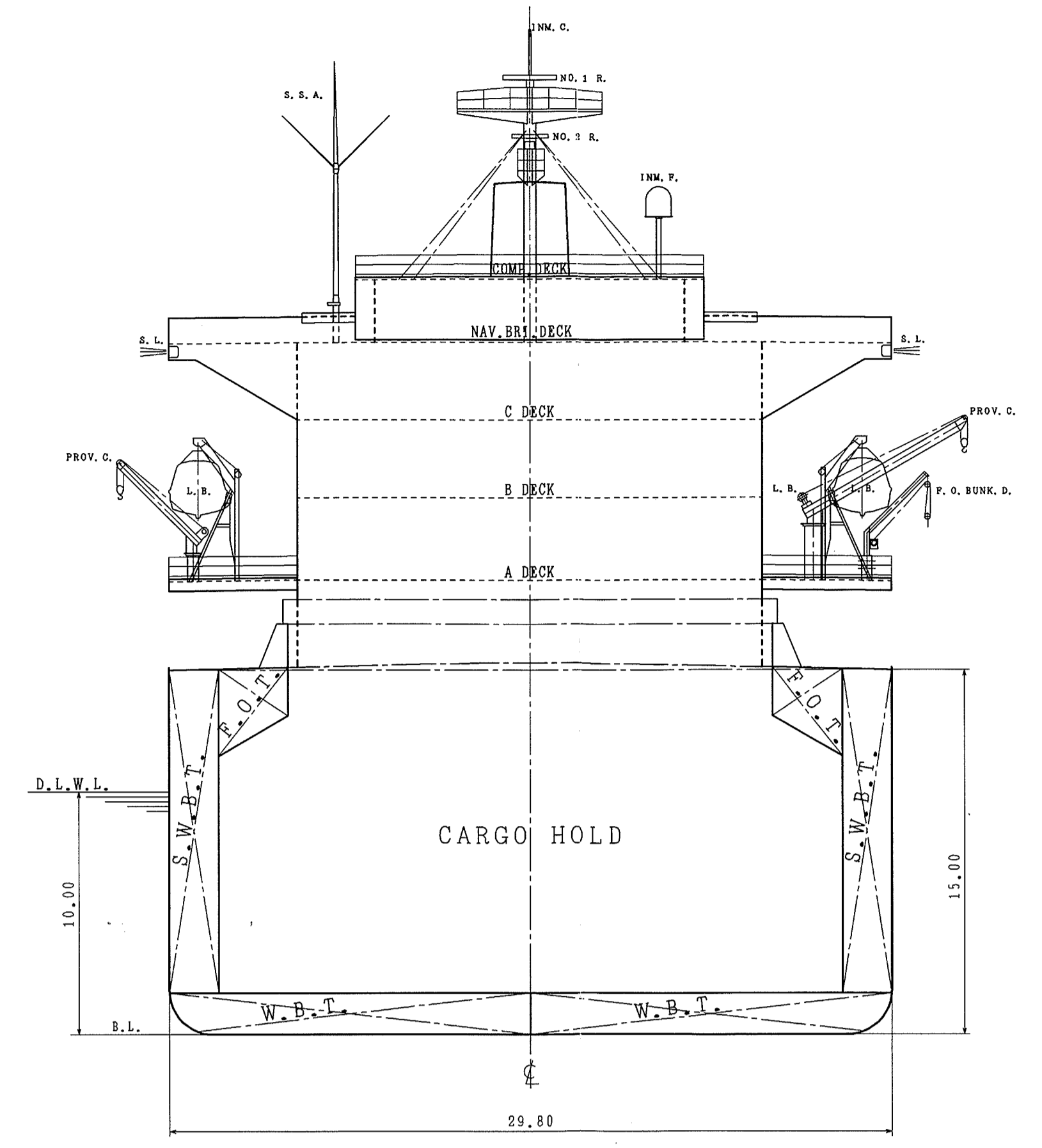
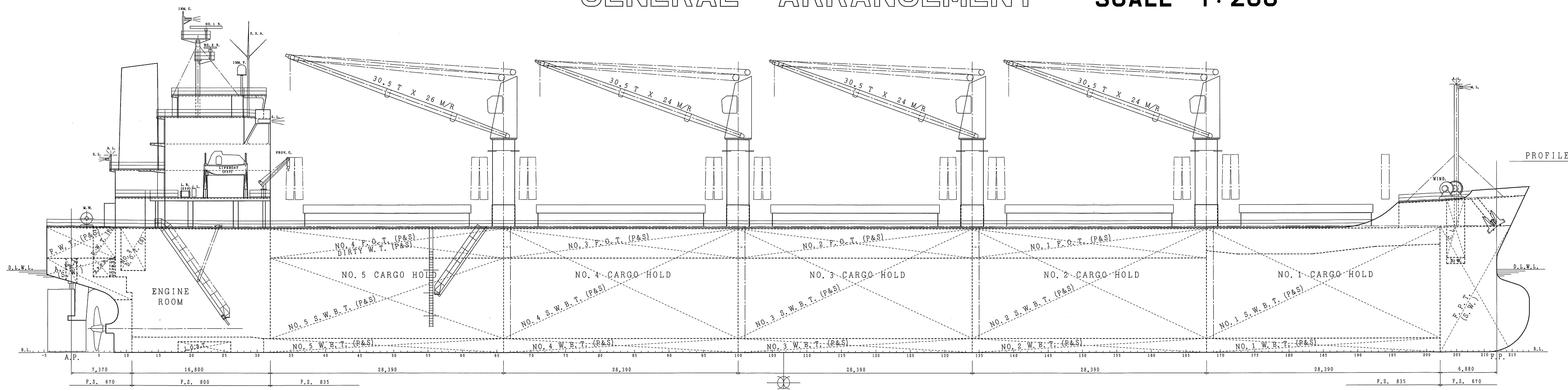


GENERAL ARRANGEMENT SCALE 1:200



PRINCIPAL PARTICULARS		
LENGTH (O.A.)	abt.	180 m
LENGTH (B.P.)		173.00 m
BREADTH (M.L.D.)		28.80 m
DEPTH (M.L.D.)		15.00 m
DRAFT (DESIGNED M.L.D.)		10.00 m
	(SCANTLING M.L.D.)	10.55 m
DEADWEIGHT (AT DESIGNED DRAFT)		35,000 M.T.
DEADWEIGHT (AT ASSIGNED DRAFT)		37,300 M.T.
GROSS TONNAGE	abt.	23,300
MAIN ENGINE		
DAW 6246MC-C (Mark 7)		1 SBT
MAXIMUM OUTPUT		7,850 kW x 129 rpm
NORMAL OUTPUT		6,680 kW x 122 rpm (85% MCR)
SERVICE SPEED		
(NORMAL OUTPUT, ON DES. DRAFT, 15% S.W.)	abt.	14.7 knots
CLASS NIPPON KAIJI KYOKAI (NK)		
CLASSIFICATION CHARACTERISTICS		
NSR (BULK CARRIER MODIFIED, BC-XII, GRAB) AND MNSR		
DESCRIPTIVE NOTE		
STRENGTHENED FOR HEAVY CARGO LOADING WHERE HOLDS		
NOS. 2 & 4 MAY BE EMPTY / DOUBLE HULL CONSTRUCTION		
APPLIED TO ALL CARGO HOLDS		
INSTALLATION CHARACTERISTICS		
CHG, MFP, LSA, RCF		

COMPLEMENT			
DECK PART	ENGINE PART	BUSSINESS PART	
CAPTAIN	1	CHIEF ENGINEER	1
CHIEF OFFICER	1	1ST ENGINEER	1
2ND OFFICER	1	2ND ENGINEER	1
3RD OFFICER	1	3RD ENGINEER	1
BOATSWAIN	1	NO. 1 OILER	1
CHIEF COOK	1		
ABLE SEAMAN	3	OILER	3
ORDINARY SEAMAN	2	WIPER	1
MESS MAN	1		
TOTAL NUMBER OF OFFICER 4 P.			
TOTAL NUMBER OF CREW 13 P.			
SPARE OFFICER (JUNIOR OFFICER CLASS) 2 P.			
CREW (RATING CREW CLASS) 1 P.			
OFFICER (PILOT) 1 P.			

This General Arrangement shall be attached to the Memorandum of Agreement for sale and purchase of one (1) 37,300M.T. DW Type Double Hull Bulk Carrier under Hull number S-763

Aug. Bolten/Wm. Miller's Nachfolger (GmbH & Co. KG) VENUS OCEAN NAVIGATION S.A.

By: Masahiko Sayo Title: Managing Director
 By: Ramon Avila Title: President/Director

GIANT LINE INC., SA. IMABARI SHIPBUILDING CO., LTD.

By: Setsuhiro Kurokawa Title: Attorney-in-Fact
 By: Setsuhiro Kurokawa Title: Executive Vice President

Date of execution: 7th July, 2008

INITIAL PLAN FOR CONTRACT	
CON-FERRED	IMABARI DESIGN GROUP HULL DESIGNING TEAM
APPROVED	<i>[Signature]</i>
CHECKED	<i>[Signature]</i>
DESIGN	<i>[Signature]</i>
SHIP NO.	S-763
CLASS	NK
SCALE	1/200
NO. OF SHEETS	C-0200